

## Metered Rack PDU

### **Rack PDU, Metered, Zero U,12.5kW,208V,(30)C13, (6)C19; 3' Cord**



APC Metered Rack PDU , Input: 208V 3PH ,  
Input Connections: Compatible With Hubbell  
CS8365C , Cord Length: 3 feet ( 0.91 meters ) ,  
Output: 208V , Output Connections: IEC 320  
C13,IEC 320 C19

**Includes:** Cord retention bracket(s),  
Documentation CD, Installation guide, Rack  
Mounting brackets, RS-232 configuration cable,  
Toolless Mounting Kit

**Standard Lead Time:** Usually in Stock

## AP7868 Features

|                                |  |
|--------------------------------|--|
| Toolless Mounting Capabilities | Units do not require additional tools to mount into APC NetShelter VX, which allows the users to quickly and easily mount units in the rear of the enclosure.  |
| Vertical Mounting Capabilities | Easily mounts vertically in racks or enclosures and occupies zero U of valuable rack space, which allows more equipment in the rack. Units that mount vertically are optimized to fit in a NetShelter VX enclosures. |
| Resettable circuit breakers    | Enables a quick recovery from overload events.   |

## Metered Rack PDU Features & Benefits

### Availability

**Remote Management Capabilities** Full-featured network management interfaces that provide standards-based management via Web, SNMP, and Telnet. Allows users to access, configure, and manage units from remote locations to save valuable time. Associated with this feature is the ability to quickly and easily upgrade the firmware via network download to installed units for future product enhancements. (Note: Only applicable for units categorized as Networked).

**Local Current Monitoring Display** The aggregate current draw per power distribution unit is displayed on the unit via a digital display. The local digital display helps installers avoid overloaded circuits by providing a visible warning when the current draw is close to the maximum amperage draw of the strip.

**Alarm Thresholds** Define alarm thresholds in order to avoid overloaded circuits. Network and visual alarms inform the user of possible problems. (Note: Only available on units with the current monitoring capabilities. Please see SKU specifications for availability)

**Load indicator LED** Indicates overload and warning conditions based on the user-defined alarm thresholds. Alerts users of potential overloaded circuits.

**Integrates with InfraStruXure Central** An IT-ready, scalable monitoring system that collects, organizes, and distributes critical alerts, surveillance video and key information, providing a unified view of complex physical infrastructure environments from anywhere on the network

**Flash Upgradeable** Quickly and easily upgrade firmware via network download for future product enhancements. Eliminates the need to replace products already installed in the field when new features are released. (Note: Networked units only)


### Agility

**Rack-Mountable** Includes horizontal, vertical, and toolless-mount varieties. Puts power where it is needed most - in the racks near the equipment.

**Single input power source** Supply power from one branch whip to multiple pieces of equipment, conveniently powering rack-mount equipment. Saves time and money during installation by using one branch whip and standard connections.

**Wide range of input and output connections** Product family includes a variety of input and output connections to distribute 120V, 208V, or 230V power to multiple outlets. Having a variety of inputs and outputs allow users to adapt to varying power requirements. APC offers units that bring up to 14.4kW using a single branch whip.

# Output

|                                      |                                     |   |
|--------------------------------------|-------------------------------------|---|
| Nominal Output Voltage               | 208V                                |   |
| Maximum Total Current Draw per Phase | 35A                                 |   |
| Output Connections                   | (30) IEC 320 C13<br>(6) IEC 320 C19 |  |
| Overload Protection                  | Yes                                 |   |

# Input

|                                 |                                 |
|---------------------------------|---------------------------------|
| Nominal Input Voltage           | 208V 3PH                        |
| Input Frequency                 | 50/60 Hz                        |
| Input Connections               | Compatible With Hubbell CS8365C |
| Cord Length                     | 0.91 meters                     |
| Number of Power Cords           | 1                               |
| Maximum Line Current per phase  | 35A                             |
| Maximum Input Current per phase | 35A                             |
| Load Capacity                   | 12.5 kVA                        |

# Physical

|                 |            |
|-----------------|------------|
| Net Weight      | 7.20 KG    |
| Maximum Height  | 1778.00 mm |
| Maximum Width   | 56.00 mm   |
| Maximum Depth   | 89.00 mm   |
| Shipping Weight | 10.42 KG   |
| Shipping Height | 2108.00 mm |
| Shipping Width  | 152.00 mm  |
| Shipping Depth  | 127.00 mm  |
| Color           | Black      |

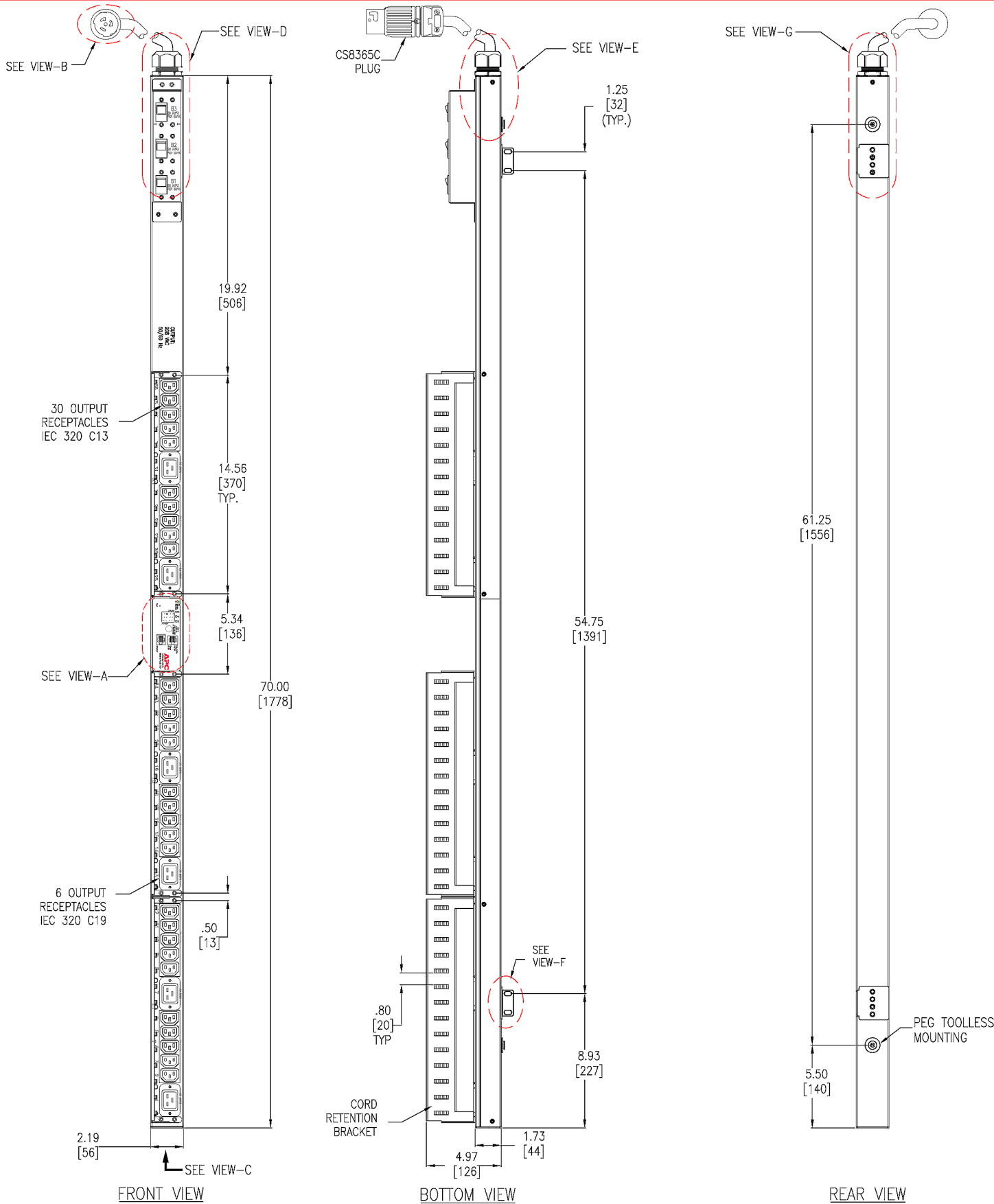
# Environmental

|                       |            |
|-----------------------|------------|
| Operating Environment | -5 - 45 °C |
|-----------------------|------------|

|                             |                |
|-----------------------------|----------------|
| Operating Relative Humidity | 5%             |
| Operating Elevation         | 0-3000 meters  |
| Storage Temperature         | -25 - 65 °C    |
| Storage Relative Humidity   | 5%             |
| Storage Elevation           | 0-15000 meters |

## Conformance

|                      |   |
|----------------------|---|
| Regulatory Approvals | cUL Listed,CSA C22.2 No. 60950-1-03,FCC Part 15 Class A,ICES-003,Industry Canada,UL 60950-1,UL Listed |
| Standard Warranty    | 2 years repair or replace   |
| ROHS/WEEE Compliance | RoHS 7b Exemption   |



NOTES:

1. ALL DIMENSIONS ARE IN INCHES [MILLIMETERS].
2. NET WEIGHT IS 15.83 LBS [7.2 kg]
3. LENGTH OF THE CORD IS 36 INCHES [914 mm].
4. UNIVERSAL MOUNTING BRACKET IS AN ALTERNATIVE MOUNTING METHOD TO THE TOOLLESS MOUNT FOR NON APC RACKS.
5. BRACKET KITS TO MOUNT TO SPECIFIC COMPETITORS RACKS ARE AVAILABLE AS OPTIONS.
6. INSTALLATION MUST COMPLY WITH ALL APPLICABLE NATIONAL AND LOCAL CODES.

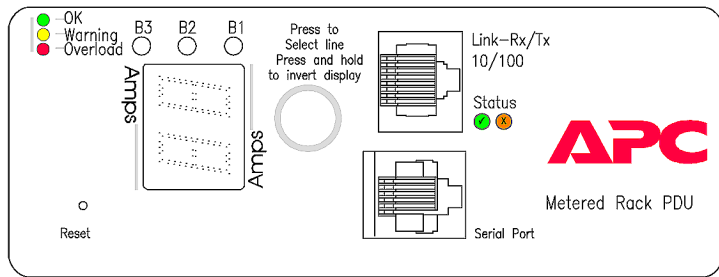
THIS DRAWING AND SPECIFICATIONS HEREIN ARE THE PROPERTY OF AMERICAN POWER CONVERSION AND SHALL NOT BE COPIED, REPRODUCED OR USED IN WHOLE OR IN PART, AS THE BASIS FOR THE MANUFACTURE OR SALE OF ITEMS WITHOUT WRITTEN PERMISSION FROM APC. THIS DRAWING IS BASED UPON LATEST AVAILABLE INFORMATION AND IS SUBJECT TO CHANGE WITHOUT NOTICE.

TITLE: RACK PDU, METERED  
 ZERO U, 12.5kW, 208V, INPUT: CS8365C  
 OUTPUT: (30)IEC 320 C13, (6)IEC 320 C19  
 MAIN MECHANICAL  
 PROJECT: SUBMITTAL DRAWING SHEET 1 OF 2

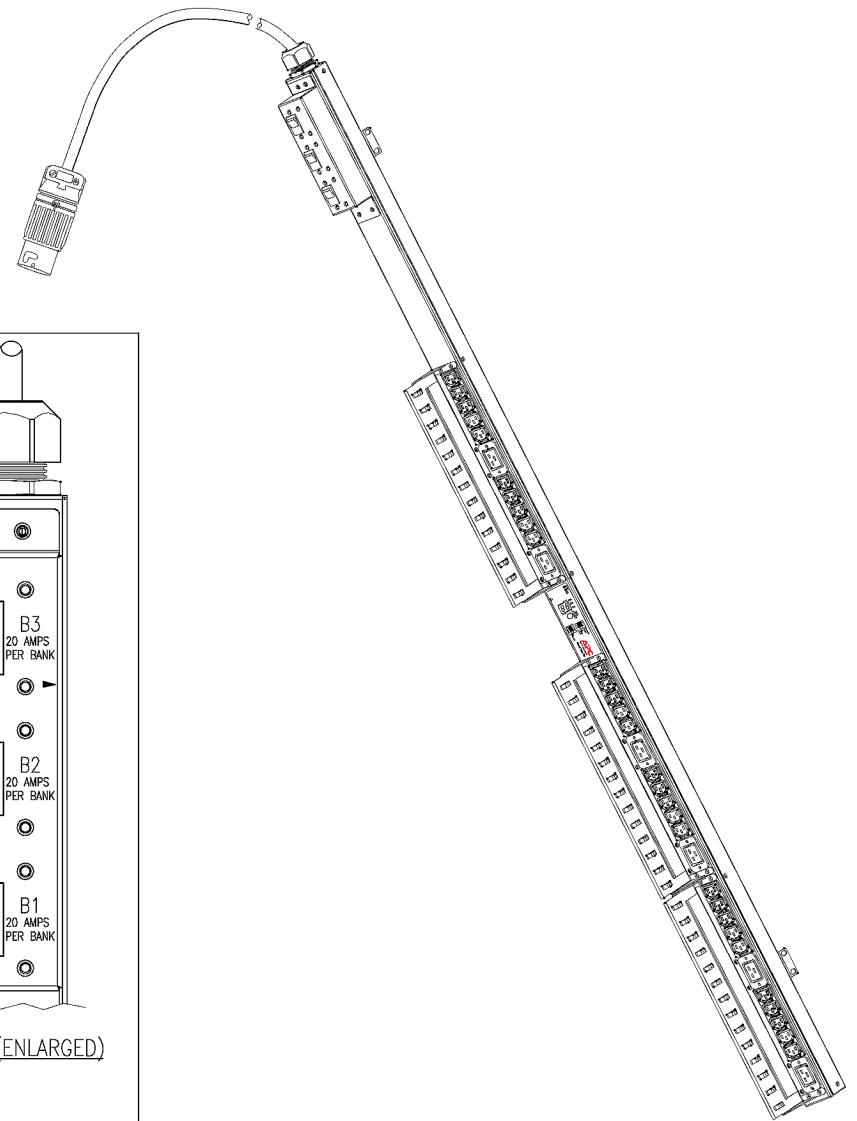
DWG NO: AP7868-MM1  
 DRAWN BY: JAYAPRAKASH  
 CHECKED BY: T.HORSTMANN  
 ENGINEER: R.HANSEN/ E.SILVA

REV. 2





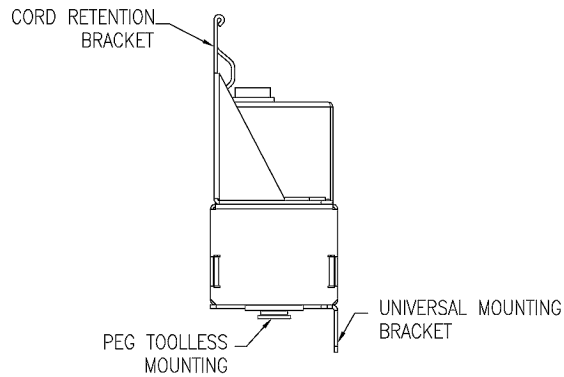
VIEW-A (DISPLAY INTERFACE-ENLARGED)



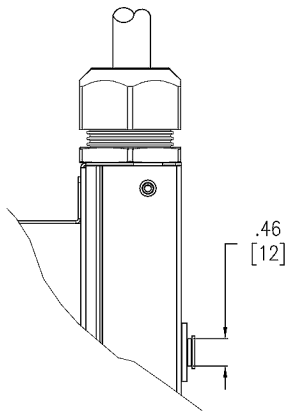
ISOMETRIC VIEW



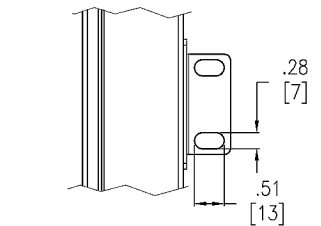
VIEW-B  
(CONNECTOR FACE VIEW  
CS8365C PLUG-ENLARGED)



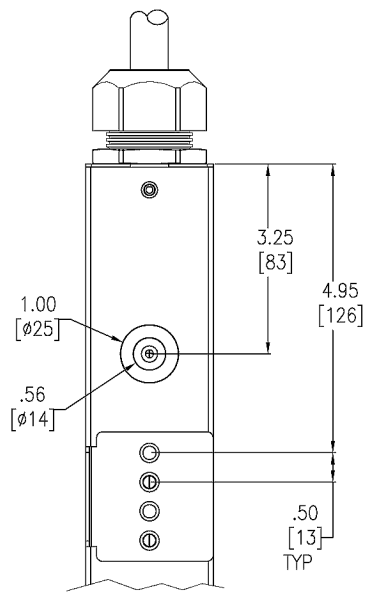
VIEW-C (ENLARGED)



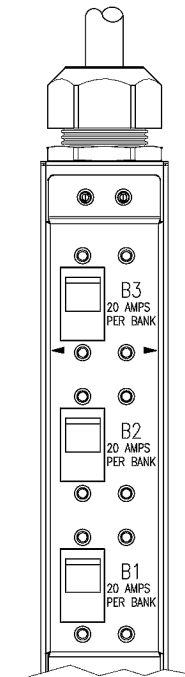
VIEW-E (ENLARGED)



VIEW-F  
(MOUNTING BRACKET ENLARGED)



VIEW-G (ENLARGED)



VIEW-D (ENLARGED)

NOTES:

1. ALL DIMENSIONS ARE IN INCHES [MILLIMETERS].
2. INSTALLATION MUST COMPLY WITH ALL APPLICABLE NATIONAL AND LOCAL CODES.

THIS DRAWING AND SPECIFICATIONS HEREIN ARE THE PROPERTY OF AMERICAN POWER CONVERSION AND SHALL NOT BE COPIED, REPRODUCED OR USED IN WHOLE OR IN PART, AS THE BASIS FOR THE MANUFACTURE OR SALE OF ITEMS WITHOUT WRITTEN PERMISSION FROM APC. THIS DRAWING IS BASED UPON LATEST AVAILABLE INFORMATION AND IS SUBJECT TO CHANGE WITHOUT NOTICE.

TITLE: RACK PDU, METERED  
ZERO U, 12.5KW, 208V, INPUT: CS8365C  
OUTPUT: (30)IEC 320 C13, (6)IEC 320 C19  
DETAILS & ISOMETRIC VIEW  
PROJECT: SUBMITTAL DRAWING SHEET 2 OF 2

DWG NO: AP7868-MM2  
DRAWN BY: JAYAPRAKASH  
CHECKED BY: T.HORSTMANN  
ENGINEER: R.HANSEN/ E.SILVA

REV. 2





# Metered Rack PDU

## Overview

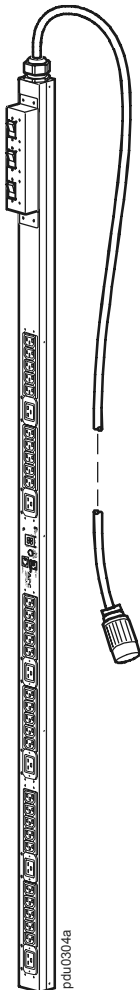
The American Power Conversion (APC®) Metered Rack Power Distribution Unit (PDU) distributes power to devices in the rack. The Rack PDU has a sensor that measures the current that it and its attached devices use. It can be monitored through Web, Telnet, SNMP, SSH, or InfraStruXure™ Manager interfaces.

**Outlets.** The Rack PDU has thirty (30) IEC-320-C13 outlets (15A maximum each) and six (6) IEC-320-C19 outlets (20A maximum each). Use APC power cord AP9877 (6.5 ft; 1.98 m) with C19 outlets (not included).

**Digital display.** A digital display shows aggregate current being used by the Rack PDU.

**Input power cord.** The 3-foot (0.91-meter) power cord terminates with a CS8365C connector.

## AP7868





## Specifications

---

### Electrical

---

|                          |   |
|--------------------------|---|
| Input connector          | CS8365C plug                                |
| Output connectors        | (30) IEC-320-C13<br>(6) IEC-320-C19 outlets |
| Cord length              | 3 ft (0.91 m)                               |
| Nominal input voltage    | 208 VAC, 3-phase                            |
| Acceptable input voltage | ±10% of nominal voltage                     |
| Input frequency          | 47–63 Hz                                    |
| Output current           | 15A/C13, 20A/C19; 20A/bank                  |

---

### Physical

---

|                                    |  |
|------------------------------------|--|
| Dimensions (H × W × D)             | 70.00 × 2.20 × 1.75 in<br>(177.80 × 5.58 × 4.45 cm)              |
| (Including breaker box)            | 70.00 × 2.20 × 3.50 in <sup>†</sup><br>(177.80 × 5.58 × 8.89 cm) |
| Shipping dimensions<br>(H × W × D) | 83.00 × 6.00 × 5.00 in<br>(210.82 × 15.24 × 12.70 cm)            |
| Weight                             | 15.83 lb (7.18 kg)   |
| Shipping weight                    | 22.93 lb (10.40 kg)  |

---

### Environmental

---

|                                  |                            |
|----------------------------------|----------------------------|
| Maximum elevation<br>(above MSL) |                            |
| Operating                        | 10,000 ft (3 000 m)        |
| Storage                          | 50,000 ft (15 000 m)       |
| Temperature                      |                            |
| Operating                        | –5 to 45°C (23 to 115°F)   |
| Storage                          | –25 to 65°C (–13 to 149°F) |
| Humidity                         |                            |
| Operating                        | 5–95% RH Non-condensing    |
| Storage                          | 5–95% RH Non-condensing    |

---

### Regulatory Approvals

---

|                |  |
|----------------|--|
| EMC            | FCC part 15 Class A<br>ICES-003 Class A    |
| Product safety | UL 60950-1<br>CAN/CSA-C22.2 No. 60950-1-03 |

---

<sup>†</sup>The depth with the breaker box (3.50 in; 8.89 cm) extends for only a part of the height of the unit (7.50 in; 19.05 cm).



990-1954B